

TJ's				
PlotID	Length	Product	Piles	Net Qty
E24	24-00-00	9 1/2" TJI 210 joist	1	11
E15	15-00-00	9 1/2" TJI 210 joist	1	2
E14	14-00-00	9 1/2" TJI 210 joist	1	7
E10	10-00-00	9 1/2" TJI 210 joist	1	9
E5	5-00-00	9 1/2" TJI 210 joist	1	2

TimberStrand				
PlotID	Length	Product	Piles	Net Qty
TSRim1	20-00-00	1 1/4" x 9 1/2" 1.3E TimberStrand LSL	1	8
TS1	14-00-00	1 3/4" x 9 1/2" 1.55E TimberStrand LSL	1	1
TS2	8-00-00	1 3/4" x 9 1/2" 1.55E TimberStrand LSL	1	1

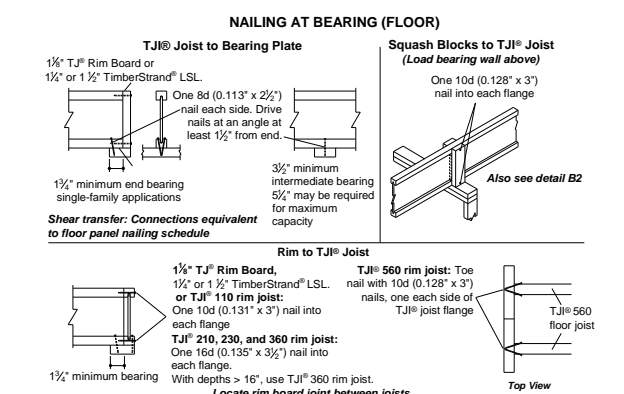
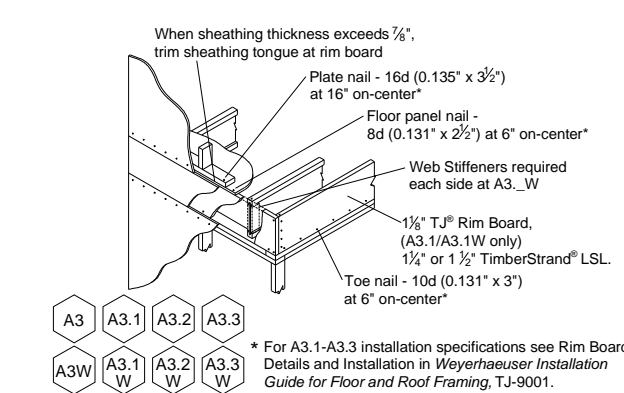
Design Accessory				
PlotID	Length	Product	Piles	Net Qty
6-12		3/4" x 2 5/16" Web Stiffeners	1	4

Dimension Lumber				
PlotID	Length	Product	Piles	Net Qty
GL1	4-00-00	3 1/2" x 9 1/2" 24F-V4 DF Glulam	1	2
GL2	3-00-00	3 1/2" x 9 1/2" 24F-V4 DF Glulam	1	1
GL3	11-00-00	5 1/2" x 9 1/2" 24F-V4 DF Glulam	1	1

Sheeting				
PlotID	Length	Product	Piles	Net Qty
		7/8"x48"x96" Weyerhaeuser Edge Gold Panel (0/32) T&G FF	1	33

Framing Connector Summary								
PlotID	Qty	Manuf	Product	Skew	Slope	Backer Blks	Filler	Web Stiff
H1	1	Simpson	HUS1.81/10	-	-	No	No	No
H2	20	Simpson	IUS2.06/9.5	-	-	No	No	No
H3	2	Simpson	IUS2.06/9.5	-	-	No	No	Yes

LEVEL NOTES	
Current Date:	11/22/2024
File Name:	MP24-529.jvl
Level Name:	Upper
Members with Design Overrides:	
TJ-Pro Rating (Weighted Average):	50
Minimum Level TJ - Pro Rating & Joist:	TJ-Pro rating = 44, joist = E14(341)
Maximum Level TJ - Pro Rating & Joist:	TJ-Pro rating = 62, joist = E15(329)
FLOOR	
Floor Container:	FC1
Use/Occupancy:	ResidentialLivingAreas
Floor Area Loading is:	40.0 lb/ft ² Live Load & 12.0 lb/ft ² Dead Load
Maximum Allowed Deflection:	L/480 Live Load & L/240 Total Load
TJ-Pro Rating Information:	
Weighted Average:	50
Directly Applied Ceiling:	Gypsum 1/2"
Decking Attachment:	Glue and Nail
Decking Material:	7/8"x48"x96" Weyerhaeuser Edge Gold Panel (0/32) T&G FF
Blocking at max 8-00-00 o.c.:	No



1. MATERIAL PLACEMENT PLANS (LAYOUTS) ARE ESTIMATES ONLY. PARR LUMBER COMPANY (PARR) DOES NOT GUARANTEE THE ACCURACY OF THIS MATERIAL PLACEMENT PLAN. THE MATERIAL LIST INCORPORATED IN THIS PLACEMENT PLAN IS AN ESTIMATE ONLY. THE ACTUAL AMOUNT OF MATERIAL USED MAY VARY FROM THE AMOUNT OF MATERIAL ESTIMATED DUE TO A NUMBER OF FACTORS INCLUDING:

- NO REPRESENTATION OR WARRANTY REGARDING THE ACTUAL AMOUNT OF MATERIAL USED. ALL LOADS AND DIMENSIONS LISTED IN THIS PLACEMENT PLAN HAVE BEEN SPECIFIED BY THE CUSTOMER AND VERIFIED BY THE CUSTOMER FOR COMPLETENESS, ACCURACY AND COMPLIANCE WITH APPLICABLE CODE REQUIREMENTS. IT IS THE RESPONSIBILITY OF THE CUSTOMER TO VERIFY ALL PRODUCTS LISTED FOR SIZE, LENGTH AND APPLICATION. THIS PLACEMENT PLAN IS SUBJECT TO REVIEW BY THE CUSTOMER QUALIFIED PROFESSIONAL ENGINEER IN REGARDS TO THE PART CLEAR STRUCTURE OF STRUCTURAL COMPONENTS THEREOF.
- MEASUREMENT AND HOLD HAZARDOUS CUSTOMER SHALL INDEMNIFY AND HOLD HARMLESS ITS OFFICERS, AGENTS AND EMPLOYEES HARMLESS AGAINST AND FROM ANY AND ALL CLAIMS, DAMAGES, LOSSES AND EXPENSES, INCLUDING REASONABLE ATTORNEY'S FEES, FOR ANY CLAIM, CAUSE OF ACTION, DEMAND, INDEMNITY OR PERSONAL INJURY, DEATH OR DAMAGE TO ANY PROPERTY OR PERSON ARISING OUT OF OR IN ANY WAY CONNECTED TO THIS PLAN OR OMISSION THEREIN REGARD TO THIS PLAN.
- LIMITATION OF LIABILITY: PARR AND PARR'S SUPPLIERS SHALL BE LIABLE TO CUSTOMER FOR DEFECTS OF WORKMANSHIP, MATERIALS, OR WORKMANSHIP. PARR SHALL NOT BE LIABLE FOR LOSS OF PROFITS, REVENUE, DATA OR USE, OR FOR ANY INDIRECT, INCIDENTAL, SPECIAL, CONSEQUENTIAL DAMAGES, OR FOR ANY OTHER DAMAGES THAT MAY BE INCURRED BY CUSTOMER OR ANY OTHER PARTY OR SERVICE PROVIDER FROM THE USE OF THIS PRODUCT AND SERVICES PROVIDED BY PARR OR ANY OF ITS AFFILIATES.
- IF ASSIGNED PER PROJECT: CUSTOMER SHALL BE RESPONSIBLE FOR OBTAINING ALL NECESSARY PERMITS, APPROVALS, AND INSURANCE. PARR SHALL NOT BE RESPONSIBLE FOR OBTAINING ANY PERMITS, APPROVALS, OR INSURANCE. PARR SHALL NOT BE RESPONSIBLE FOR OBTAINING ANY PERMITS, APPROVALS, OR INSURANCE. PARR SHALL NOT BE RESPONSIBLE FOR OBTAINING ANY PERMITS, APPROVALS, OR INSURANCE.

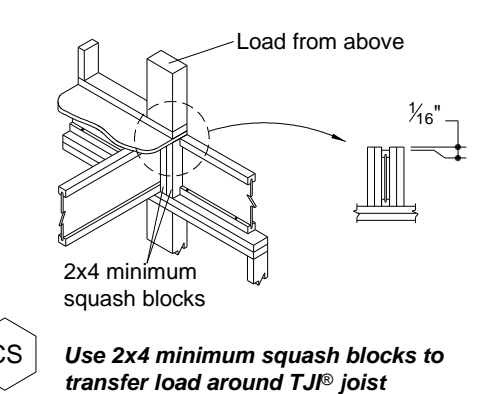
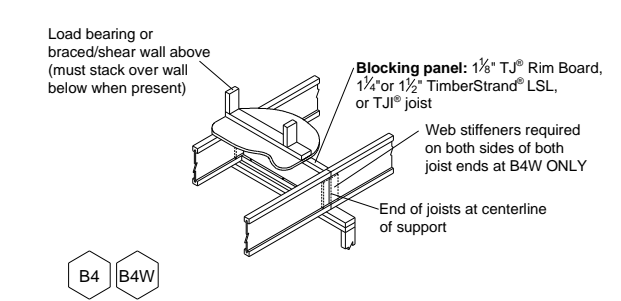
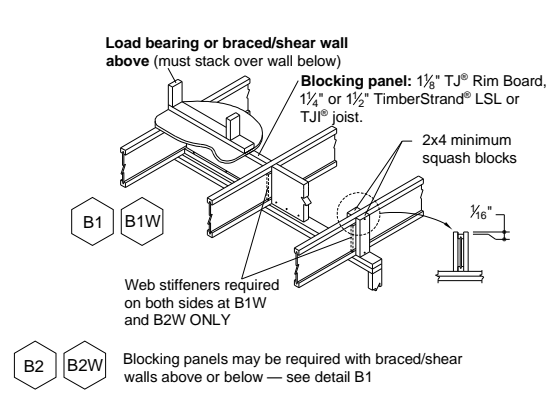
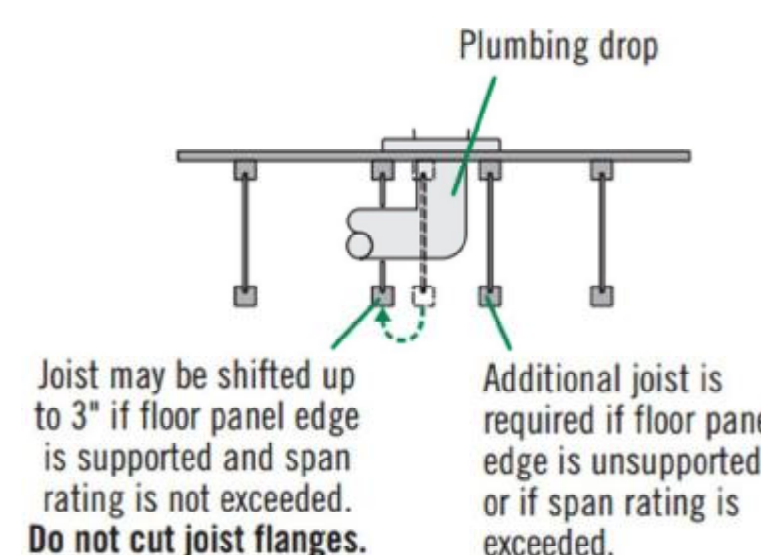
WARNING
Joists are sensitive to end loaded laterally.

Bracing Includes:
• Blocking
• Sheathing
• Top Joist

DO NOT walk on joists until blocked.
DO NOT walk on joists until braced.
DO NOT stack building materials on unbraced joists. Stack only over beams or walls.

WARNING NOTE:
Lack of proper bracing during construction can result in serious accidents. Observe the following guidelines:

- All blocking, bracing, toe boards and other safety devices must be completely installed and properly maintained.
- Blocking, bracing, toe boards and other safety devices must be installed in accordance with the manufacturer's instructions.
- Blocking, bracing, toe boards and other safety devices must be installed in accordance with the manufacturer's instructions.
- Blocking, bracing, toe boards and other safety devices must be installed in accordance with the manufacturer's instructions.
- Blocking, bracing, toe boards and other safety devices must be installed in accordance with the manufacturer's instructions.
- Blocking, bracing, toe boards and other safety devices must be installed in accordance with the manufacturer's instructions.
- Blocking, bracing, toe boards and other safety devices must be installed in accordance with the manufacturer's instructions.
- Blocking, bracing, toe boards and other safety devices must be installed in accordance with the manufacturer's instructions.
- Blocking, bracing, toe boards and other safety devices must be installed in accordance with the manufacturer's instructions.
- Blocking, bracing, toe boards and other safety devices must be installed in accordance with the manufacturer's instructions.



JOB COMMENTS: MP24-529
Jim Jensen
Rankin Addition
Parr Woodinville-Justin S.

Created By:
Parr Lumber Co.
Mike Peck
6400 E 19th Street
Vancouver, WA
Phone: 360-518-5282
Email: mike.peck@parr.com

REV BY DATE

LAYOUT SCALE: 1/4" = 1'

SHEET
1 of 1